



Roma Cot

Instructions



**IMPORTANT! RETAIN FOR FUTURE
REFERENCE. READ CAREFULLY**

1 Welcome

Thank you for choosing a Babies R Us product.

The Roma cot is carefully designed for baby's safety and features an adjustable height base and drop side so you can easily reach baby in the early months and teething rails to protect the top rails of the sides from sharp teeth.

To ensure safe, trouble free use, please take a little time to read the important safety notes below and the following instructions.

2 Safety notes

- Warning: Be aware of the risk of open fire and other sources of strong heat, such as electric bar fires, gas fires, etc. in the near vicinity of the child's cot, and do not place near windows or other furniture.
- Warning: Do not use the child's cot if any part is broken, torn or missing and use only spare parts approved by Babies R Us.
- Warning: Do not leave anything in the cot or place the cot close to another product, which could provide a foothold or present a danger of suffocation or strangulation, e.g. strings, blind/curtain cords, etc.
- Warning: Do not use more than one mattress in the cot.
- Three base height positions are possible. The lowest position is the safest and should always be used as soon as baby is old enough to sit up.
- If you leave the child unattended in the cot, always make sure that the dropside is in the raised position.
- The thickness of the mattress shall be such that the internal height (surface of the mattress to the upper edge of the cot frame) is at least 500 mm in the lowest position of the cot base and at least 200 mm in the highest position of the cot base.
- The cot is suitable for a mattress of 1200 mm in length and 600 mm in width, or no less than a size of 1180 mm x 580 mm.
- All assembly fittings should always be tightened properly and fittings should be checked regularly and retightened as necessary.
- To prevent injury from falls, when the child is able to climb out of the cot, the cot shall no longer be used for that child.
- The safety of the cot could be adversely affected by fitting flammable drapes.
- Designed and manufactured to BS EN 716 : 2008.

3 Parts list (Not to scale)

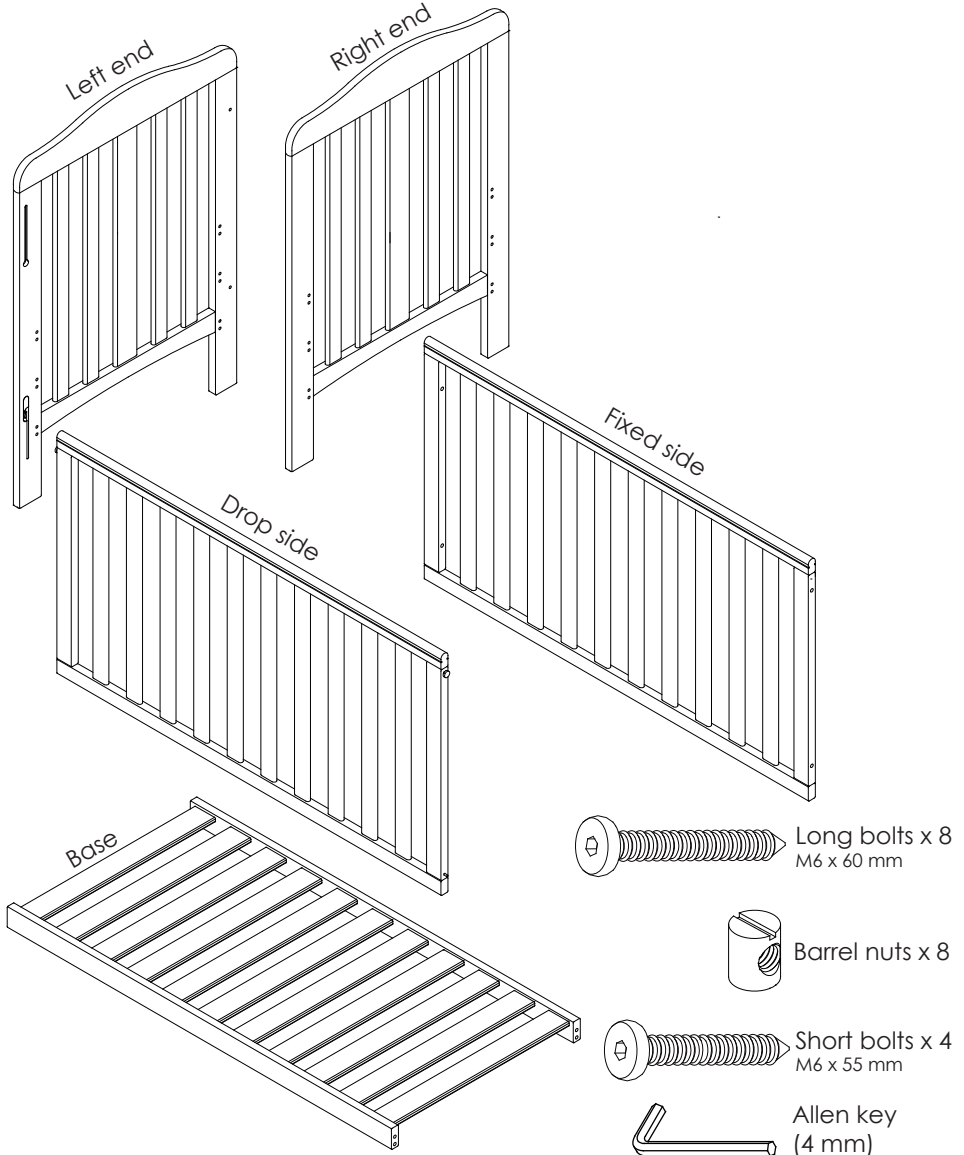
Please retain all packaging until you are certain no parts are missing.

In the case of assembly difficulties, missing parts or other queries, please contact your nearest Babies R Us store.

After assembly, please dispose of all packaging carefully.

A medium sized flat bladed screwdriver is required for assembly of the cot.

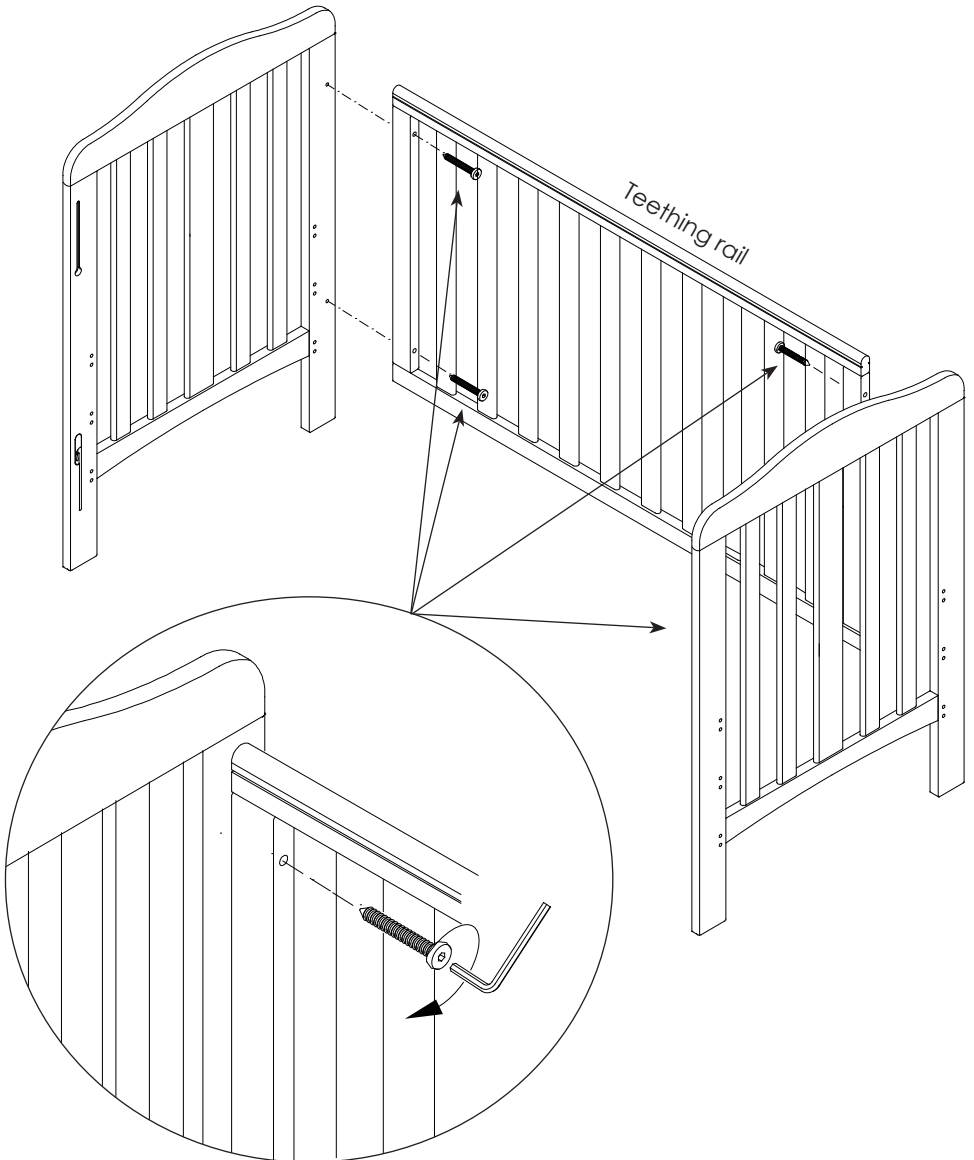
The help of an assistant will make assembly easier.



4 Fixed side

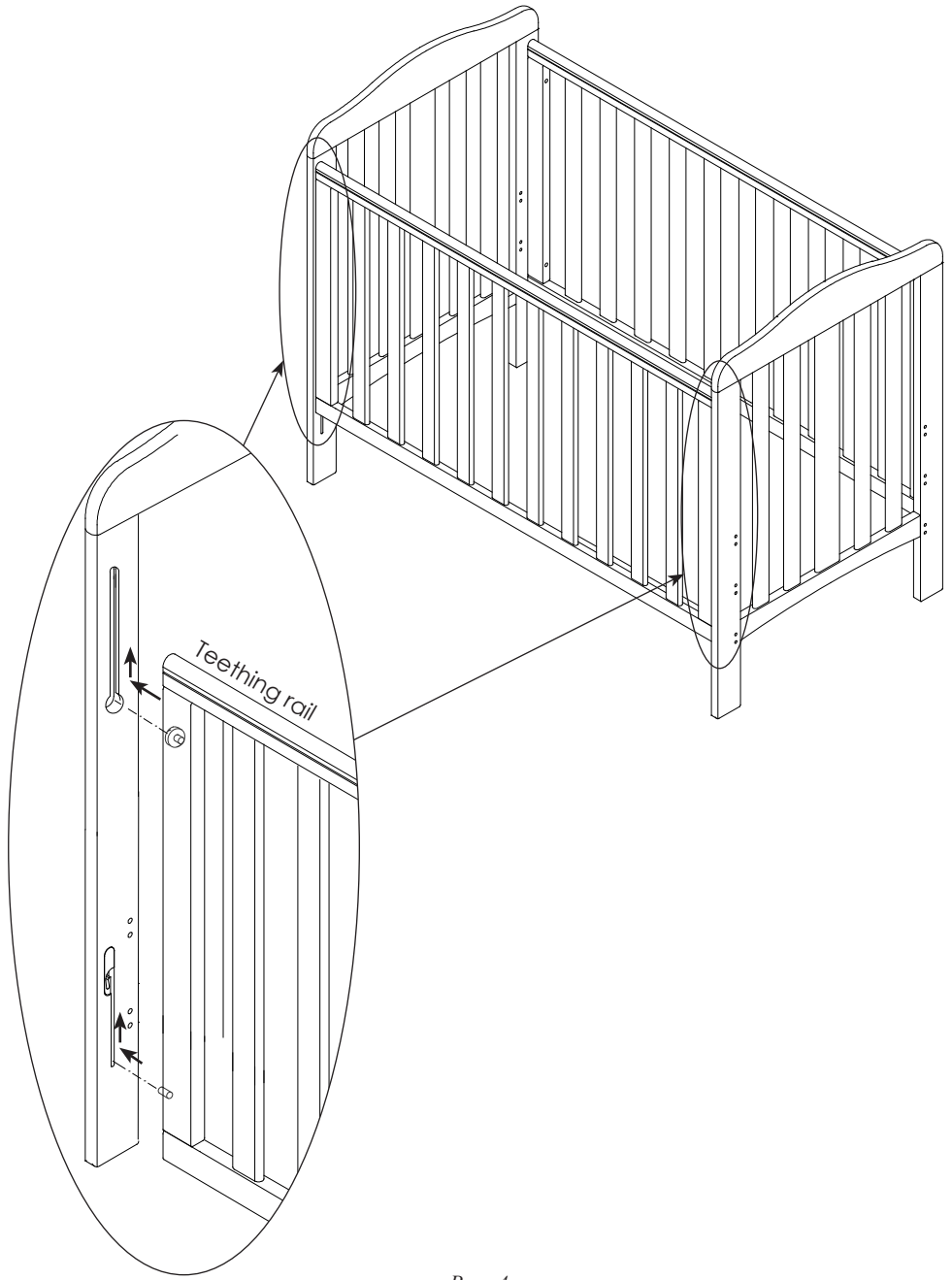
Attach the fixed side to both ends using two short bolts for each side. Ensure that the plastic teething rail is at the top.

Do not fully tighten the fixed side bolts at this stage.



5 Dropside

Ensuring that the plastic teething rail is at the top, fit the dropside into the guides in each end panel and slide upwards until it stops.



6 Base

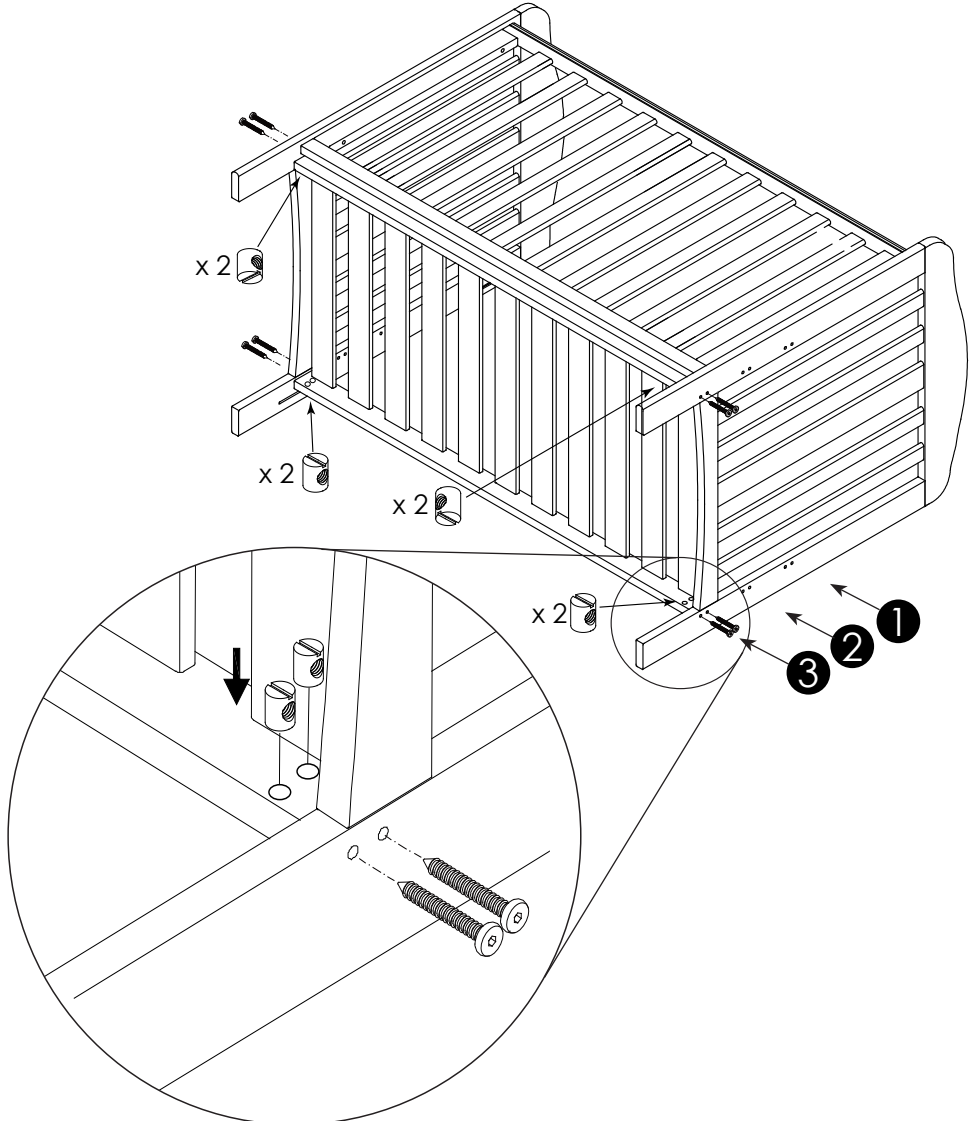
Carefully tip the cot over on to its drop side.

Position the base at the preferred height, 1, 2 or 3 and insert the long bolts part way to stop it moving.

Insert two barrel nuts into the holes in one corner of the base and align the slots with the bolts.

Once aligned, screw the bolts into the barrel nuts, but do not fully tighten at this stage.

Repeat for the other corners then stand the cot on it's feet and tighten all bolts.



7 Dropside operation

To lower the drop side:

1. Lift the side slightly
2. Press the bottom rail towards the base with your lower leg
3. Lower the side slowly until it stops

To raise the drop side:

Lift the drop side until both ends click into the catches and check the side is secure before leaving it.



8 Care of your product

Regularly check the tightness of bolts and tighten as necessary.

Check for damage which could render your cot unsafe or cause splinters.

To clean use a damp cloth, avoiding the use of strong detergents or abrasives.

An occasional light application of a wax polish will help maintain a good appearance and will aid operation of the dropside.



© 1997 Geoffrey Inc.

Toys R Us

Maidenhead, England SL6 4UB